



APEC-SUN

Double Suction Split-Case Pump



APPLICATIONS:

- Industrial and Municipal water supply.
- Cooling water and hot water circulating.
- Air conditioning.
- Irrigation.
- Fire fighting and sprinkler.
- Refrigerating.
- Pressure Booster.
- etc.

FEATURES:

- Easy for maintenance

- Axially split casing allow easy removal of the rotating element, without disturbing suction & discharge piping and pump alignment.

- Replacable bronze casing wear rings are locked in position by tongue and pin to prevent rotation.
- Renewable shaft sleeves are provided to protect the shaft and ensure longer shaft life.

- Wide range of performance and material

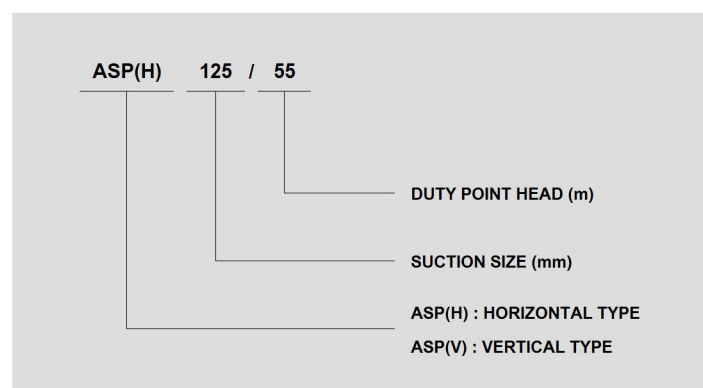
- Capacities up to 4,000 m³/hr and head up to 200 m.
- Sealing can be supplied as mechanical seal or gland packing.
- Standard rotation of clockwise viewed from driving end and counterclockwise is optional.

- Durable and high performance

- High efficiency and suction head are obtained by enclosed double suction type impeller, providing statically and dynamically balance.

- The stainless steel shaft is provided through the entire length of the shaft.

TYPE DESCRIPTION:



MATERIALS:

VOLUTE CASING	DIN
CAST IRON	GG-25
DUCTILE CAST IRON	GGG-40
CAST STEEL	GS-C25
IMPELLER	DIN
CAST IRON	GG-25
BRONZE	G-CuSn10Zn
STAINLESS STEEL	1.4581 or 1.4028
SHAFT	DIN
C-STEEL	C45N
Cr-STEEL	1.4021
CASING WEAR RINGS	DIN
CAST IRON	GG-25
BRONZE	G-CuSn5ZnPb
BRASS	G-CuZn15Si4

SPECIFICATIONS:

Capacity : up to 4,000 m³/hr.

Head : up to 200 m.

Pump Size : 125 mm. - 500 mm.

Speed : up to 3,500 rpm.

Operating Pressure : up to 25 bar.

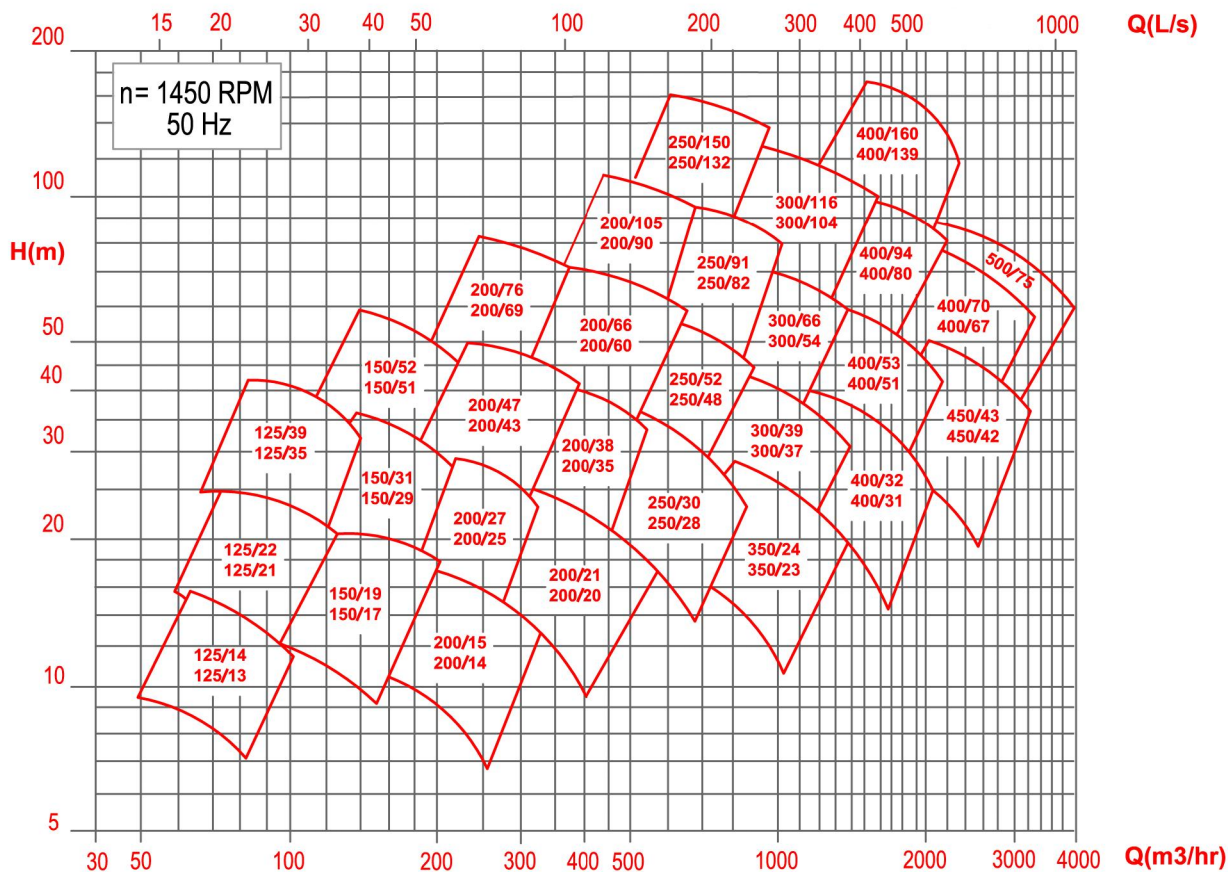
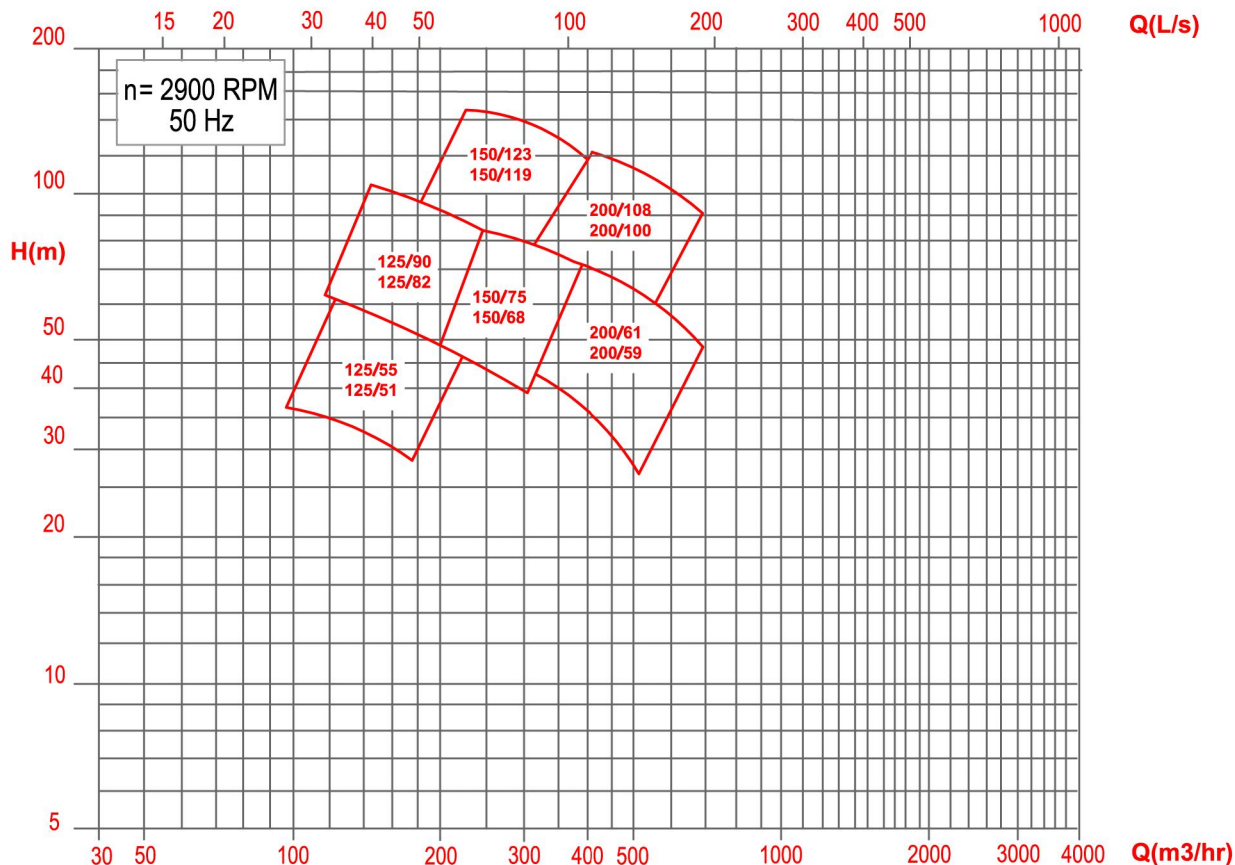
Operating Temperature : up to 130 °C.

Mechanical Seal made of Carbon/Ceramic/NBR : according to DIN 24960 Standard. Alternative materials are available on application.

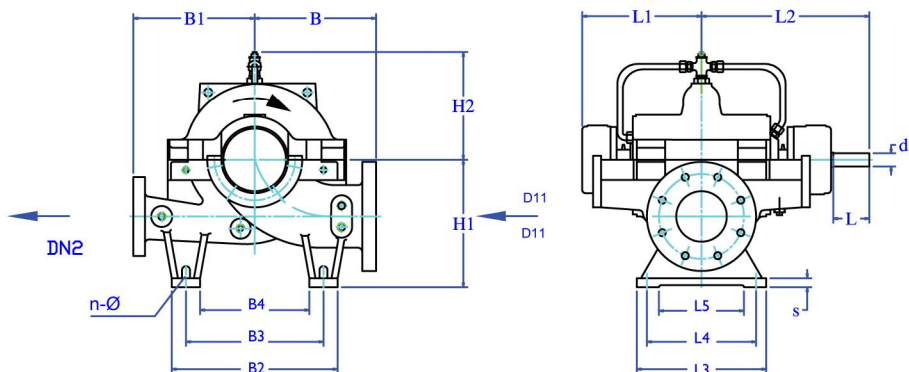
Grease Lubricated Ball Bearings : are fitted adjacent to the inserts and retained by bearing housings. Ensure long bearing life.

Two Rotation Options : Clockwise viewed at the drive end (Suction right hand side). Alternative counter clockwise viewed at drive end (Suction left hand side).

PERFORMANCE CHARTS:

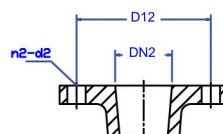
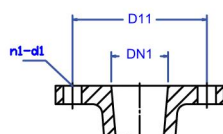


DIMENSIONS:



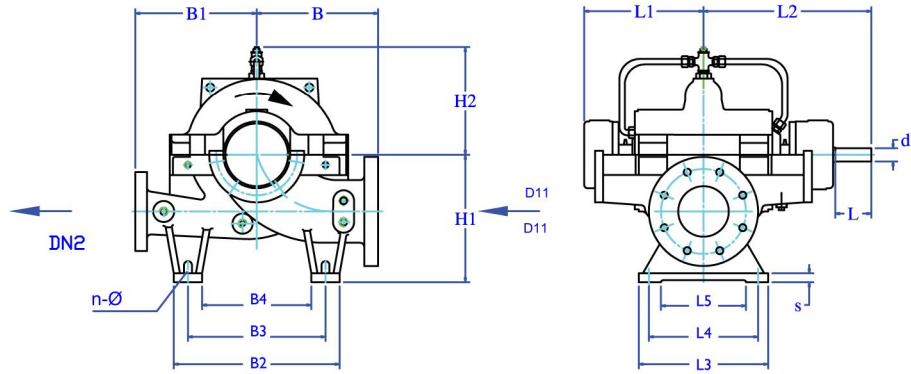
Dimension of inlet

Dimension of outlet



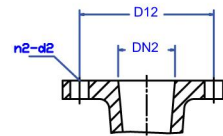
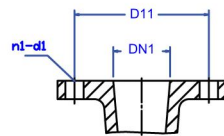
PUMP MODEL	FLANGE						DIMENSION														SHAFT	
	DN1	DN2	D11	D12	n1-d1	n2-d2	B1	B	L1	L2	H1	H2	n-Ø	L5	L4	L3	B4	B3	B2	S	d1	L
125/55	125	80	210	160	8-Ø17.5	8-Ø17.5	300	300	315	415	315	276	4-Ø18.5	210	270	320	270	340	410	32	35	70
125/51	125	80	210	160	8-Ø17.5	8-Ø17.5	300	300	315	415	315	276	4-Ø18.5	210	270	320	270	340	410	32	35	70
125/14	125	80	210	160	8-Ø17.5	8-Ø17.5	300	300	315	415	315	276	4-Ø18.5	210	270	320	270	340	410	32	35	70
125/13	125	80	210	160	8-Ø17.5	8-Ø17.5	300	300	315	415	315	276	4-Ø18.5	210	270	320	270	340	410	32	35	70
125/90	125	80	210	160	8-Ø17.5	8-Ø17.5	300	300	315	415	315	268	4-Ø18.5	210	270	320	270	340	410	32	35	70
125/82	125	80	210	160	8-Ø17.5	8-Ø17.5	300	300	315	415	315	268	4-Ø18.5	210	270	320	270	340	410	32	35	70
125/22	125	80	210	160	8-Ø17.5	8-Ø17.5	300	300	315	415	315	268	4-Ø18.5	210	270	320	270	340	410	32	35	70
125/21	125	80	210	160	8-Ø17.5	8-Ø17.5	300	300	315	415	315	268	4-Ø18.5	210	270	320	270	340	410	32	35	70
125/39	125	80	210	160	8-Ø17.5	8-Ø17.5	330	330	315	415	315	311	4-Ø17.5	210	270	320	270	340	410	32	35	70
125/35	125	80	210	160	8-Ø17.5	8-Ø17.5	330	330	315	415	315	311	4-Ø17.5	210	270	320	270	340	410	32	35	70
150/75	150	100	240	180	8-Ø22	8-Ø17.5	330	330	315	415	355	273	4-Ø18.5	210	270	320	330	400	470	28	35	70
150/68	150	100	240	180	8-Ø22	8-Ø17.5	330	330	315	415	355	273	4-Ø18.5	210	270	320	330	400	470	28	35	70
150/19	150	100	240	180	8-Ø22	8-Ø17.5	330	330	315	415	355	273	4-Ø18.5	210	270	320	330	400	470	28	35	70
150/17	150	100	240	180	8-Ø22	8-Ø17.5	330	330	315	415	355	273	4-Ø18.5	210	270	320	330	400	470	28	35	70
150/123	150	100	240	180	8-Ø22	8-Ø17.5	330	330	381	515	355	315	4-Ø18.5	210	270	320	330	400	470	36	45	100
150/119	150	100	240	180	8-Ø22	8-Ø17.5	330	330	381	515	355	315	4-Ø18.5	210	270	320	330	400	470	36	45	100
150/31	150	100	240	180	8-Ø22	8-Ø17.5	330	330	315	415	355	315	4-Ø18.5	210	270	320	330	400	470	32	35	70
150/29	150	100	240	180	8-Ø22	8-Ø17.5	330	330	315	415	355	315	4-Ø18.5	210	270	320	330	400	470	32	35	70
150/52	150	100	240	180	8-Ø22	8-Ø17.5	370	370	315	415	355	346	4-Ø20	210	270	320	330	400	470	32	35	70
150/51	150	100	240	180	8-Ø22	8-Ø17.5	370	370	315	415	355	346	4-Ø20	210	270	320	330	400	470	32	35	70
200/59	200	125	295	210	8-Ø22	8-Ø17.5	370	370	381	515	400	288	4-Ø23	250	340	390	370	450	530	36	45	100
200/61	200	125	295	210	8-Ø22	8-Ø17.5	370	370	381	515	400	288	4-Ø23	250	340	390	370	450	530	36	45	100
200/14	200	125	295	210	8-Ø22	8-Ø17.5	370	370	381	515	400	288	4-Ø23	250	340	390	370	450	530	36	45	100
200/15	200	125	295	210	8-Ø22	8-Ø17.5	370	370	381	515	400	288	4-Ø23	250	340	390	370	450	530	36	45	100
200/108	200	125	295	210	12-Ø22	8-Ø17.5	370	370	381	515	400	308	4-Ø23	250	340	390	370	450	530	36	45	100
200/100	200	125	295	210	12-Ø22	8-Ø17.5	370	370	381	515	400	308	4-Ø23	250	340	390	370	450	530	36	45	100
200/27	200	125	295	210	12-Ø22	8-Ø17.5	370	370	381	515	400	308	4-Ø23	250	340	390	370	450	530	36	45	100
200/25	200	125	295	210	12-Ø22	8-Ø17.5	370	370	381	515	400	308	4-Ø23	250	340	390	370	450	530	36	45	100
200/47	200	125	295	210	12-Ø22	8-Ø17.5	370	370	381	515	400	338	4-Ø23	250	340	390	370	450	530	36	45	100
200/43	200	125	295	210	12-Ø22	8-Ø17.5	370	370	381	515	400	338	4-Ø23	250	340	390	370	450	530	36	45	100
200/76	200	125	295	210	12-Ø22	8-Ø17.5	450	450	381	515	400	365	4-Ø23	250	340	390	370	560	630	36	45	100
200/69	200	125	295	210	12-Ø22	8-Ø17.5	450	450	381	515	400	365	4-Ø23	250	340	390	370	560	630	36	45	100
200/21	200	150	295	240	8-Ø22	8-Ø22	400	400	381	515	400	323	4-Ø24	250	340	390	370	450	530	36	45	100
200/20	200	150	295	240	8-Ø22	8-Ø22	400	400	381	515	400	323	4-Ø24	250	340	390	370	450	530	36	45	100

DIMENSIONS:



Dimension of inlet

Dimension of outlet



PUMP MODEL	FLANGE						DIMENSION														SHAFT	
	DN1	DN2	D11	D12	n1-d1	n2-d2	B1	B	L1	L2	H1	H2	n-Ø	L5	L4	L3	B4	B3	B2	S	d1	L
200/38	200	150	295	240	12-Ø22	8-Ø22	400	400	381	515	400	354	4-Ø24	250	340	390	370	450	530	36	45	100
200/35	200	150	295	240	12-Ø22	8-Ø22	400	400	381	515	400	354	4-Ø24	250	340	390	370	450	530	36	45	100
200/66	200	150	295	240	12-Ø22	8-Ø22	450	450	433	590	500	390	4-Ø23	300	430	480	490	560	630	40	55	110
200/60	200	150	295	240	12-Ø22	8-Ø22	450	450	433	590	500	390	4-Ø23	300	430	480	490	560	630	40	55	110
200/105	200	150	310	250	12-Ø26	8-Ø26	500	600	433	590	500	456	4-Ø23	300	430	480	630	700	770	40	55	110
200/90	200	150	310	250	12-Ø26	8-Ø26	500	600	433	590	500	456	4-Ø23	300	430	480	630	700	770	40	55	110
250/30	250	200	355	295	12-Ø26	12-Ø22	450	450	433	590	500	374	4-Ø23	300	430	480	490	560	630	40	55	110
250/28	250	200	355	295	12-Ø26	12-Ø22	450	450	433	590	500	374	4-Ø23	300	430	480	490	560	630	40	55	110
250/52	250	200	355	295	12-Ø26	12-Ø22	500	500	433	590	500	396	4-Ø23	300	430	480	490	560	630	40	55	110
250/48	250	200	355	295	12-Ø26	12-Ø22	500	500	433	590	500	396	4-Ø23	300	430	480	490	560	630	40	55	110
250/91	250	200	355	295	12-Ø26	12-Ø22	500	600	511	695	600	448	4-Ø23	320	400	480	600	700	800	45	65	140
250/82	250	200	355	295	12-Ø26	12-Ø22	500	600	511	695	600	448	4-Ø23	320	400	480	600	700	800	45	65	140
250/150	250	200	370	310	12-Ø31	12-Ø28	550	650	511	695	600	518	4-Ø23	320	400	480	600	700	800	32	65	140
250/132	250	200	370	310	12-Ø31	12-Ø28	550	650	511	695	600	518	4-Ø23	320	400	480	600	700	800	32	65	140
300/37	300	250	410	355	12-Ø26	12-Ø26	500	500	511	695	600	420	4-Ø23	320	400	480	600	700	800	45	65	140
300/39	300	250	410	355	12-Ø26	12-Ø26	500	500	511	695	600	420	4-Ø23	320	400	480	600	700	800	45	65	140
300/66	300	250	485	355	12-Ø26	12-Ø26	550	550	556	754	670	482	4-Ø23	440	520	612	600	700	800	45	75	140
300/54	300	250	485	355	12-Ø26	12-Ø26	550	550	556	754	670	482	4-Ø23	440	520	612	600	700	800	45	75	140
300/116	300	250	430	370	16-Ø30	12-Ø30	550	650	554	754	670	485	4-Ø23	440	520	612	600	700	800	32	75	140
300/104	300	250	430	370	16-Ø30	12-Ø30	550	650	554	754	670	485	4-Ø23	440	520	612	600	700	800	32	75	140
350/24	350	300	470	410	16-Ø26	12-Ø26	500	550	511	695	600	450	4-Ø23	320	400	480	600	700	800	45	65	140
350/23	350	300	470	410	16-Ø26	12-Ø26	500	550	511	695	600	450	4-Ø23	320	400	480	600	700	800	45	65	140
400/53	400	300	525	410	16-Ø30	12-Ø26	550	650	556	754	670	450	4-Ø23	440	520	612	600	700	800	48	75	140
400/51	400	300	525	410	16-Ø30	12-Ø26	550	650	556	754	670	450	4-Ø23	440	520	612	600	700	800	48	75	140
400/32	400	350	525	470	16-Ø30	16-Ø26	550	650	556	754	670	505	4-Ø23	440	520	612	600	700	800	48	75	140
400/31	400	350	525	470	16-Ø30	16-Ø26	550	650	556	754	670	505	4-Ø23	440	520	612	600	700	800	48	75	140
400/70	400	350	525	470	16-Ø30	16-Ø26	650	700	622	860	750	540	4-Ø23	420	520	720	850	950	1050	50	85	175
400/67	400	350	525	470	16-Ø30	16-Ø26	650	700	622	860	750	540	4-Ø23	420	520	720	850	950	1050	50	85	175
400/94	400	300	525	410	16-Ø30	12-Ø26	650	700	622	860	750	535	4-Ø23	450	520	610	850	950	1050	50	85	175
400/80	400	300	525	410	16-Ø30	12-Ø26	650	700	622	860	750	535	4-Ø23	450	520	610	850	950	1050	50	85	175
400/160	400	300	550	430	16-Ø36	16-Ø30	650	700	622	860	750	594	4-Ø23	420	520	720	850	950	1050	40	85	175
400/139	400	300	550	430	16-Ø36	16-Ø30	650	700	622	860	750	594	4-Ø23	420	520	720	850	950	1050	40	85	175
450/43	450	400	585	525	20-Ø31	16-Ø31	650	750	622	860	750	545	4-Ø23	450	520	612	850	950	1050	55	85	175
450/42	450	400	585	525	20-Ø31	16-Ø31	650	750	622	860	750	545	4-Ø23	450	520	612	850	950	1050	55	85	175
500/75	500	400	650	525	20-Ø33	16-Ø33	650	750	622	860	750	545	4-Ø23	450	520	612	850	950	1050	55	85	175