



APEC-SUN

**Stainless Steel Horizontal
Single-Stage Centrifugal Pump**



APPLICATIONS:

- Water supply.
- Industrial pressurization.
- Transportation of industrial liquid.
- Water treatment.
- Farmland irrigation.
- Medicine and sanitation.
- etc.

FEATURES:

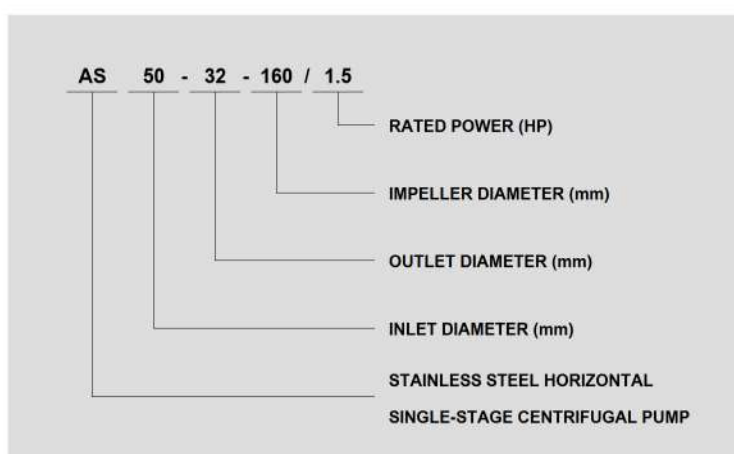
MOTOR

- TEFC.
- IP55 protection.
- Class F insulation.
- Standard voltage;
 - * Single phase version: 1 x 220V, 50Hz, 2P.
 - * Three phase version: 3 x 380V, 50Hz, 2P.

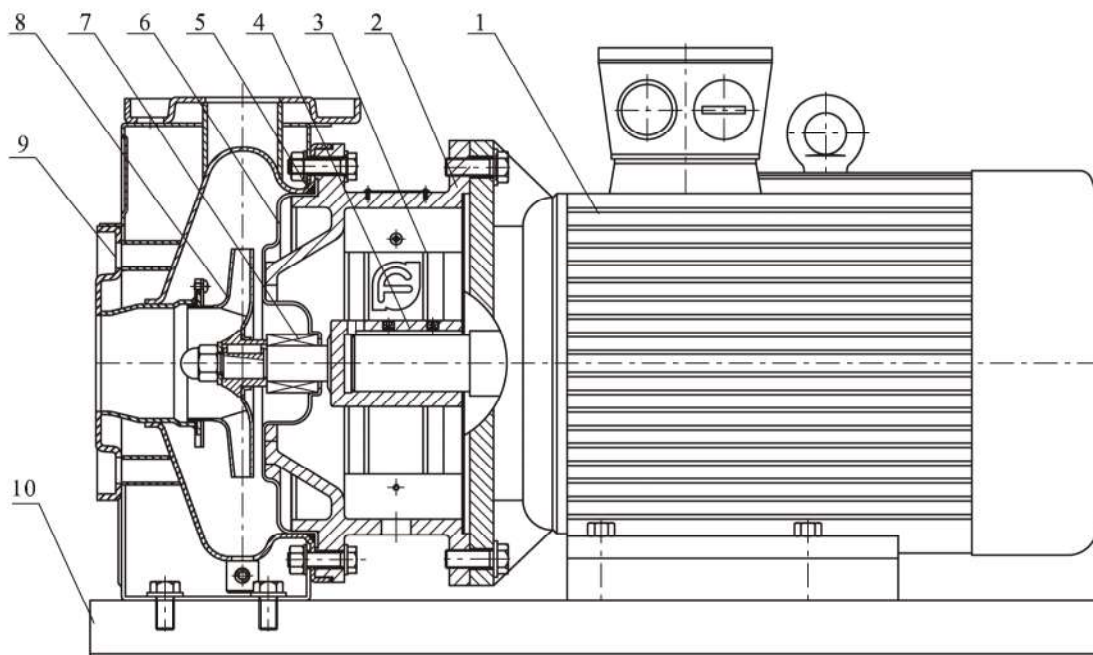
PUMP

- Clean, thin, non-flammable and explosive, not containing the liquid with solid particle and fibre.
- Temperature of pumped liquid: from -20°C to 100°C.
- Maximum working pressure 10 bar.

TYPE DESCRIPTION:



CONSTRUCTION:



NO.	NAME	MATERIAL	AISI/ASTM
1	Motor		
2	Pump Head	HT200	ASTM25B
3	Guard Plate	0Cr18Ni9	AISI304
4	Shaft	2Cr13/0Cr18Ni9	AISI420/AISI304
5	O-Ring	NBR	
6	Lining of Pump Head	0Cr18Ni9	AISI304
7	Mechanical Seal	Carbon/Silicon Carbide	
8	Impeller	0Cr18Ni9	AISI304
9	Casing	0Cr18Ni9	AISI304
10	Base Plate	Q235	ASTMA570

PERFORMANCE PARAMETER:

PUMP MODEL	POWER				SPEED (r/min)	CAPACITY (m ³ /h)							
	1 x 220V		3 x 380V			3	6.3	9	12.5	15	18	20	
	kW	HP	kW	HP									HEAD (m)
AS50-32-160/1.5	1.1	1.5	1.1	1.5	2900	18.7	18.0	17.2	16.4				
AS50-32-160/2.0	1.5	2.0	1.5	2.0	2900	22.5	22.0	21.0	20.0	19.0	18.0		
AS50-32-160/3.0	2.2	3.0	2.2	3.0	2900	28.0	27.0	26.3	25.0	24.0	22.5		
AS50-32-200/4.0			3.0	4.0	2900	34.9	34.1	33.3	32.0	31.0	29.8	28.9	
AS50-32-200/5.5			4.0	5.5	2900	45.7	44.8	43.7	42.0	40.7	39.0	37.7	
AS50-32-200/7.5			5.5	7.5	2900	58.5	57.2	56.0	54.0	52.5	50.0	48.5	

PERFORMANCE PARAMETER:

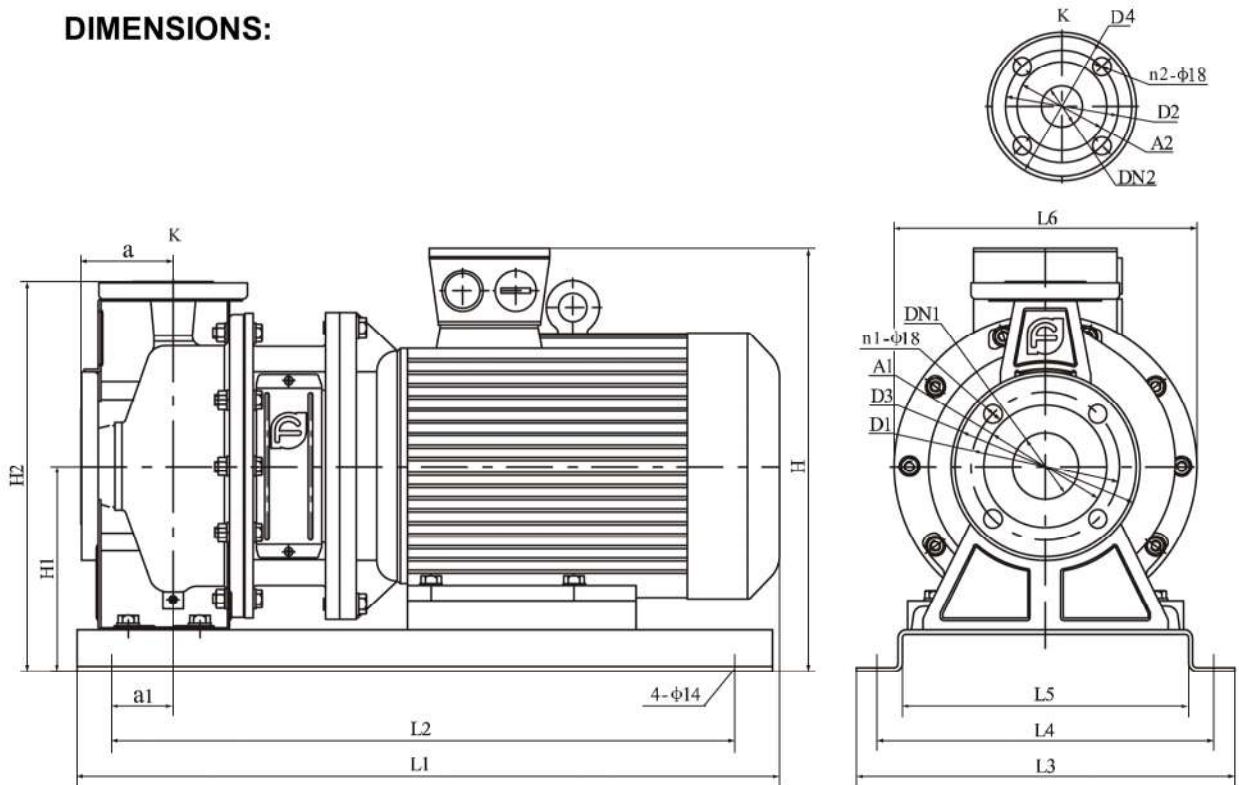
PUMP MODEL	POWER				SPEED (r/min)	CAPACITY (m ³ /h)							
	1 x 220V		3 x 380V			5	10	15	20	25	30	35	40
	kW	HP	kW	HP		HEAD (m)							
AS65-40-125/2.0	1.5	2.0	1.5	2.0	2900	15.5	15.4	15.0	14.4	13.0	11.3		
AS65-40-125/3.0	2.2	3.0	2.2	3.0	2900	20.0	19.7	19.5	19.0	18.0	16.7	15.2	
AS65-40-125/4.0			3.0	4.0	2900	25.7	25.3	25.1	24.8	24.0	22.3	20.3	
AS65-40-160/5.5			4.0	5.5	2900	30.0	29.7	29.3	28.9	28.0	26.5	24.5	
AS65-40-200/7.5			5.5	7.5	2900	37.4	37.2	36.7	36.4	36.0	35.5	34.6	33.3
AS65-40-200/10.0			7.5	10.0	2900	48.0	47.5	47.0	46.6	46.0	45.2	44.5	43.3
AS65-40-200/15.0			11.0	15.0	2950	64.0	63.5	63.0	62.5	62.0	61.5	60.5	59.0

PUMP MODEL	POWER				SPEED (r/min)	CAPACITY (m ³ /h)							
	1 x 220V		3 x 380V			5	10	20	30	40	50	60	70
	kW	HP	kW	HP		HEAD (m)							
AS65-50-125/4.0			3.0	4.0	2900	18.0	17.8	17.2	16.4	15.1	13.0	10.0	
AS65-50-125/5.5			4.0	5.5	2900	24.2	24.2	23.6	22.6	20.7	18.0	14.8	
AS65-50-160/7.5			5.5	7.5	2900	31.6	31.5	31.0	30.0	28.0	25.0	21.5	
AS65-50-200/10.0			7.5	10.0	2900	36.3	36.6	36.4	35.6	34.1	32.0	29.6	
AS65-50-200/12.5			9.2	12.5	2900	43.5	43.5	43.5	43.0	42.0	40.0	37.5	
AS65-50-200/15.0			11.0	15.0	2950	51.5	51.5	51.0	50.0	49.3	48.0	45.6	
AS65-50-200/20.0			15.0	20.0	2950	59.7	59.7	59.6	59.5	59.0	58.0	56.2	53.0
AS65-50-200/25.0			18.5	25.0	2950	70.2	70.2	70.1	70.0	69.1	68.0	66.4	64.0

PUMP MODEL	POWER				SPEED (r/min)	CAPACITY (m ³ /h)									
	1 x 220V		3 x 380V			40	50	60	70	80	90	100	110	120	130
	kW	HP	kW	HP		HEAD (m)									
AS80-65-125/7.5			5.5	7.5	2900	19.3	18.7	18.0	17.0	15.8	14.8	13.0	11.4	9.7	
AS80-65-125/10.0			7.5	10.0	2900	24.5	23.8	23.1	22.2	21.0	19.6	18.0	16.2	14.1	
AS80-65-125/12.5			9.2	12.5	2900	28.1	27.8	27.3	26.6	25.7	24.3	23.0	21.8	20.1	18.3
AS80-65-160/15.0			11.0	15.0	2950	33.9	33.0	32.2	31.3	29.9	28.8	27.0	25.1	22.9	20.7
AS80-65-160/20.0			15.0	20.0	2950	41.8	41.1	40.4	39.5	38.6	37.6	36.0	34.8	33.0	31.0
AS80-65-200/25.0			18.5	25.0	2950	51.0	50.5	49.6	48.7	47.6	46.3	45.0	43.5	42.2	40.2
AS80-65-200/30.0			22.0	30.0	2950	57.7	57.2	56.8	55.9	55.1	54.0	53.0	51.6	49.7	48.2
AS80-65-200/40.0			30.0	40.0	2950	70.2	70.2	69.6	68.9	68.2	67.1	66.0	64.6	63.3	61.4

PUMP MODEL	POWER				SPEED (r/min)	CAPACITY (m ³ /h)									
	1 x 220V		3 x 380V			60	80	100	120	140	160	180	192	200	
	kW	HP	kW	HP		HEAD (m)									
AS100-80-160/15.0			11.0	15.0	2950	23.8	22.7	21.1	19.7	17.6	15.0	11.8	9.7		
AS100-80-160/20.0			15.0	20.0	2950	32.3	30.8	29.1	27.2	25.1	22.0	18.8		16.1	
AS100-80-160/25.0			18.5	25.0	2950	36.2	35.2	33.8	32.7	31.0	28.0	24.8		21.5	
AS100-80-200/30.0			22.0	30.0	2950	43.5	42.0	39.7	38.3	35.9	33.0	29.0		24.9	
AS100-80-200/40.0			30.0	40.0	2950	55.4	54.1	52.6	50.5	48.2	45.0	41.9		37.6	
AS100-80-200/50.0			37.0	50.0	2950	64.1	62.5	61.0	59.0	57.4	54.0	51.2		47.1	

DIMENSIONS:



PUMP MODEL	DIMENSION (mm)																				WEIGHT (kg)	
	DN1	DN2	A1	A2	D1	D2	D3	D4	n1	n2	a	a1	H	H1	H2	L1	L2	L3	L4	L5		L6
AS50-32-160/1.5	50	32	98	75	125	100	160	139	4	4	80	32	290	152	296	470	370	280	240	192	210	31
AS50-32-160/2.0	50	32	98	75	125	100	160	139	4	4	80	46	307	152	296	500	430	280	240	192	210	37
AS50-32-160/3.0	50	32	98	75	125	100	160	139	4	4	80	46	307	152	296	500	430	280	240	192	210	39
AS50-32-200/4.0	50	32	98	75	125	100	160	139	4	4	84	42	370	200	386	550	460	330	290	242	300	53
AS50-32-200/5.5	50	32	98	75	125	100	160	139	4	4	84	47	393	200	386	560	480	330	290	242	300	58
AS50-32-200/7.5	50	32	98	75	125	100	160	139	4	4	84	50	413	200	386	660	580	370	330	280	300	77
AS65-40-125/2.0	65	40	118	84	145	110	185	145	4	4	80	45	307	152	294	502	430	280	240	192	210	33
AS65-40-125/3.0	65	40	118	84	145	110	185	145	4	4	80	45	307	152	294	502	430	280	240	192	210	35
AS65-40-125/4.0	65	40	118	84	145	110	185	145	4	4	80	45	322	152	294	532	460	300	260	212	250	47
AS65-40-160/5.5	65	40	118	84	145	110	185	145	4	4	80	45	345	152	294	557	480	330	290	242	250	52
AS65-40-200/7.5	65	40	118	84	145	110	185	145	4	4	100	50	413	200	380	680	580	370	330	280	300	78
AS65-40-200/10.0	65	40	118	84	145	110	185	145	4	4	100	50	413	200	380	680	580	370	330	280	300	82
AS65-40-200/15.0	65	40	118	84	145	110	185	145	4	4	100	50	456	200	380	790	690	420	380	330	350	161
AS65-50-125/4.0	65	50	118	98	145	125	185	160	4	4	86	45	342	172	338	548	468	330	290	242	250	49
AS65-50-125/5.5	65	50	118	98	145	125	185	160	4	4	86	45	365	172	338	570	490	330	290	242	250	54
AS65-50-160/7.5	65	50	118	98	145	125	185	160	4	4	100	50	413	200	380	680	580	370	330	280	300	78
AS65-50-200/10.0	65	50	118	98	145	125	185	160	4	4	100	50	413	200	380	680	580	370	330	280	300	82
AS65-50-200/12.5	65	50	118	98	145	125	185	160	4	4	100	50	413	200	380	680	580	370	330	280	300	85
AS65-50-200/15.0	65	50	118	98	145	125	185	160	4	4	100	50	456	200	380	790	690	420	380	330	350	161
AS65-50-200/20.0	65	50	118	98	145	125	185	160	4	4	100	50	456	200	380	790	690	420	380	330	350	171
AS65-50-200/25.0	65	50	118	98	145	125	185	160	4	4	100	50	456	200	380	830	730	420	380	330	350	188
AS80-65-125/7.5	80	65	130	118	160	145	200	185	8	4	100	50	413	200	380	690	590	370	330	280	300	79
AS80-65-125/10.0	80	65	130	118	160	145	200	185	8	4	100	50	413	200	380	690	590	370	330	280	300	83
AS80-65-125/12.5	80	65	130	118	160	145	200	185	8	4	100	50	413	200	380	690	590	370	330	280	300	87
AS80-65-160/15.0	80	65	130	118	160	145	200	185	8	4	100	50	456	200	400	790	690	420	380	330	350	163
AS80-65-160/20.0	80	65	130	118	160	145	200	185	8	4	100	50	456	200	400	790	690	420	380	330	350	173
AS80-65-200/25.0	80	65	130	118	160	145	200	185	8	4	100	50	476	220	445	830	730	420	380	330	350	190
AS80-65-200/30.0	80	65	130	118	160	145	200	185	8	4	100	50	500	220	445	880	780	455	415	365	350	220
AS80-65-200/40.0	80	65	130	118	160	145	200	185	8	4	100	50	550	240	465	950	850	495	455	405	400	292
AS100-80-160/15.0	100	80	150	130	180	160	220	200	8	8	125	75	476	220	445	830	730	420	380	330	350	163
AS100-80-160/20.0	100	80	150	130	180	160	220	200	8	8	125	75	476	220	445	830	730	420	380	330	350	173
AS100-80-160/25.0	100	80	150	130	180	160	220	200	8	8	125	75	476	220	445	870	770	420	380	330	350	185
AS100-80-200/30.0	100	80	150	130	180	160	220	200	8	8	125	75	500	220	470	915	810	455	415	365	350	223
AS100-80-200/40.0	100	80	150	130	180	160	220	200	8	8	125	75	550	240	490	985	880	495	455	405	400	295
AS100-80-200/50.0	100	80	150	130	180	160	220	200	8	8	125	75	550	240	490	985	880	495	455	405	400	315