



APEC-SUN

Vortex Pump





Performance range : Capacity up to 750 m³/h, heads up to 36 m

Sizes : 100, 150 and 200 mm outlet

Temperature : Up to 110°C

Shaft sealing : Soft packing (standard, internally or externally sealed or flushed), mech. seal (single or double).

Liquids handled : Unscreened waste water and sewage, mud, crystalline suspensions, also with soft solids and long fibers, paper pulp, fruits and vegetables, beet slices etc.

Application : Product, effluent and sewage handling in chemical plants, paper mills, food factories, municipal sewage treatment works and in general industry, etc.

Material :

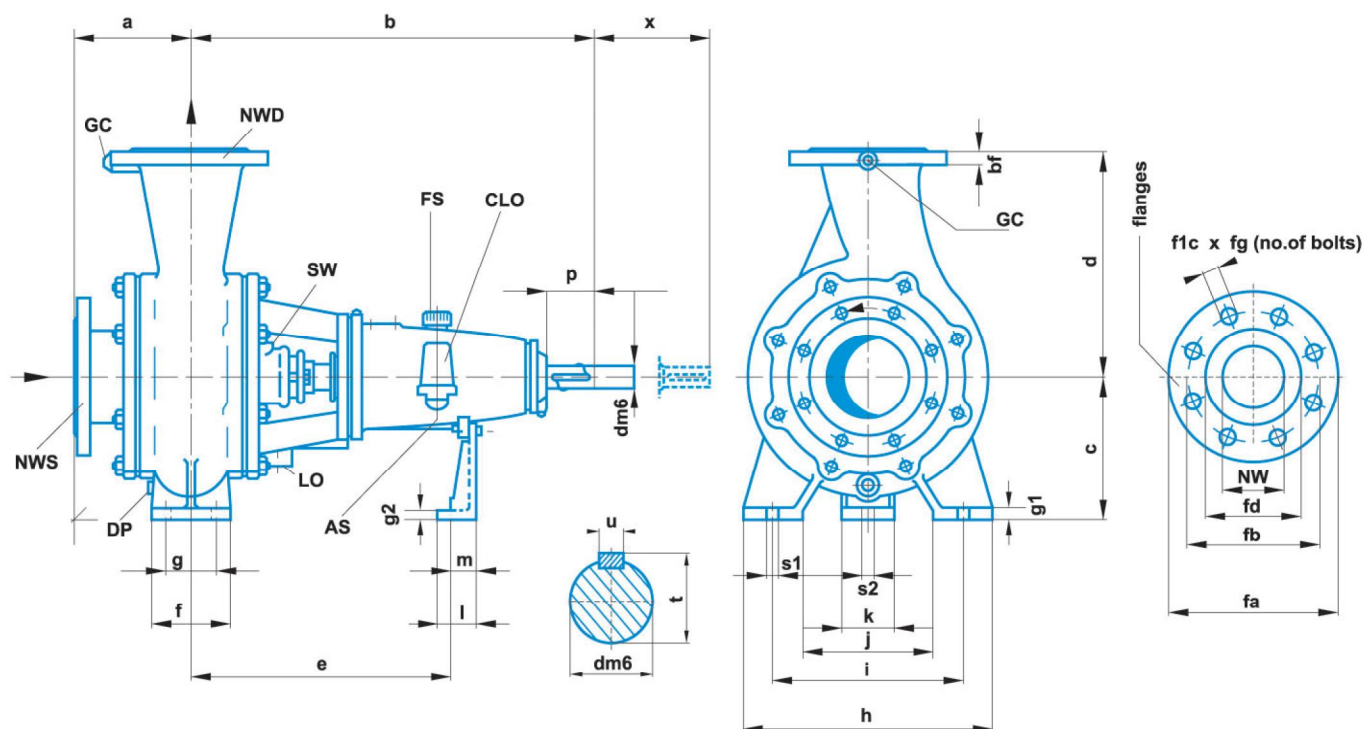
Code	Impeller	Casing wear plates stuffing box cover	Bearing bracket and lantern	Shaft	Shaft sleeve
FC	Cast iron	Cast iron	Cast iron	mild steel	mild steel
FC/BC/SUS	Bronze			Stainless steel	Stainless steel
SUS	Stainless steel	Stainless steel			

Technical design :

Horizontal shaft carried in heavy duty bearings at drive side, axial inlet, delivery branch radially up wards-bearings oil or grease lubricated-powered by electric motors or internal combustion engines either directly by means of a flexible coupling or by V-belts and pulleys. The pump may also be installed vertically and driven through cardan shafts. Wearing plates at both sides of the impeller. The rotation parts may be dismantled without disturbing the pipe connections (back-pull-out system).

The selection chart permits only a general view of the possible working points of the different pump sizes. The performance characteristics refer to water and will vary according to liquid characteristics and/or to the actual speed. Please ask for detailed documentation.

Dimensions in mm

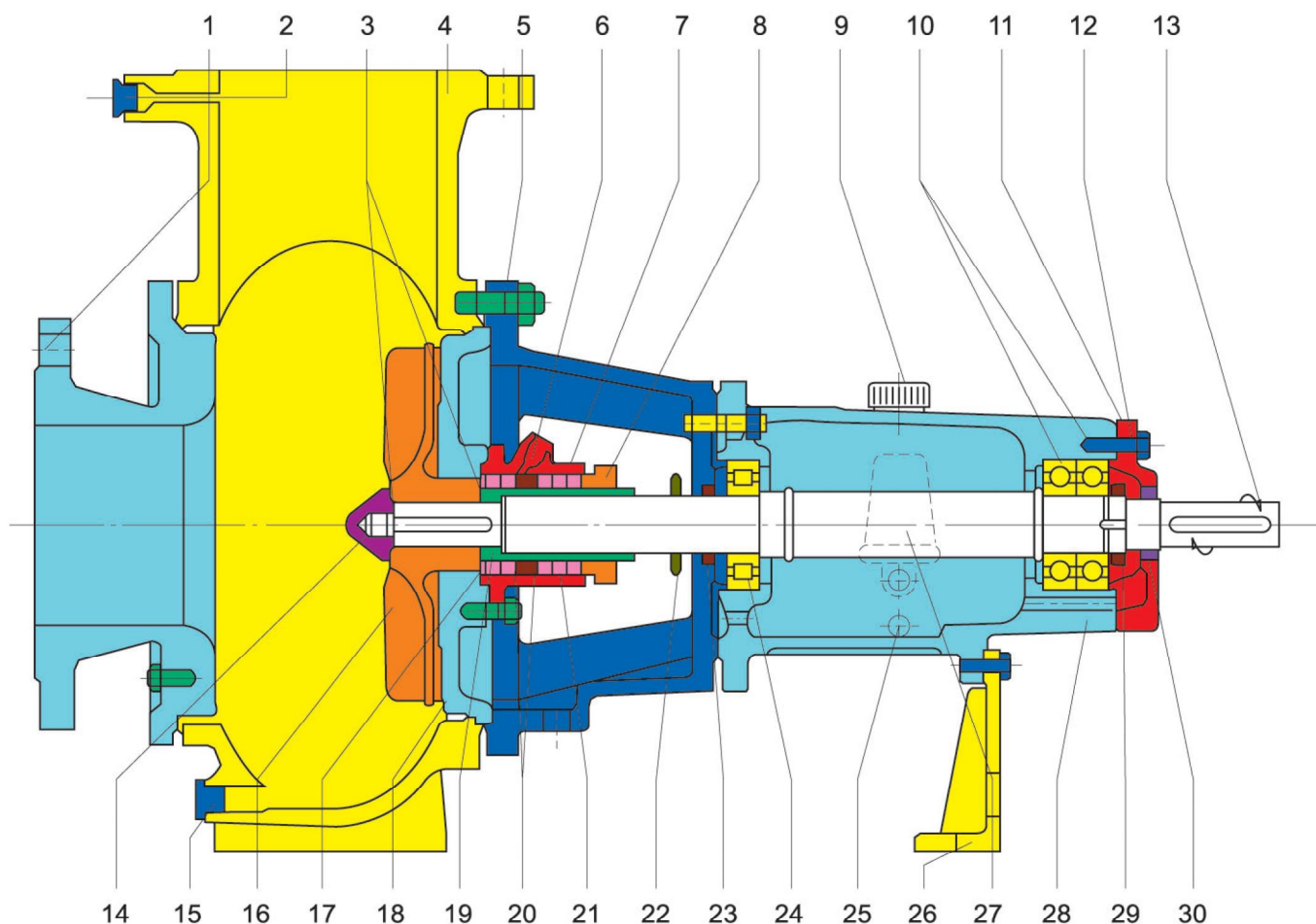


Flanges						
NWS	ND10					
NWD	fa	fb	bf	fd	f1c	fg
100	200	180	24	158	18	8
150	285	240	26	212	23	8
200	340	295	30	268	23	8

AS	outlet screw R 1/4"	** distance necessary for dismantling of bearing bracket with impeller
FS	filling and vent stud	
L 0	leakage-outlet	
GC	gauge connection	
CLO	constant level oiler option	
DP	drain plug	
SW	seal water connection	

Type	NW	a	b	c	d	e	f	g	h	i	j	k	l	m
104 w 31	100	140	630	250	315	400	125	80	400	315	210	80	60	40
154 w 31	150	200	710	280	355	450	140	90	450	355	250	100	60	40
204 w 31	200	200	800	315	400	500	160	100	560	450	340	125	60	40

Type	for screws		X **	dm6	p	t	u	g1	g2
	s1	s2							
104 w 31	M 16	M 16	110	32	80	35.3	10 x 8	18	14
154 w 31	M 16	M 16	118	42	110	45.1	12 x 8	18	14
204 w 31	M 16	M 16	140	55	110	58.8	16 x 10	22	14



No	Part name	No	Part name
1	suction cover	16	impeller
2	connection for pressure gauge	17	packing ring
3	O-ring	18	wear plate, delivery side
4	pump casing	19	shaft sleeve
5	bearing bracket lantern	20	lantern ring
6	seal-water connection	21	gland packing
7	stuffing box housing	22	leakage thrower
8	stuffing box gland	23	radial shaft seal at bearing, pump side
9	oil filler plug	24	radial roller bearing
10	pair of angular contact ball bearing	25	oil-drain plug
11	O-ring	26	support foot
12	bearing cover	27	constant oiler (option)
13	shaft	28	bearing bracket
14	impeller nut	29	bearing nut
15	drain plug	30	radial shaft seal at bearing, drive side

