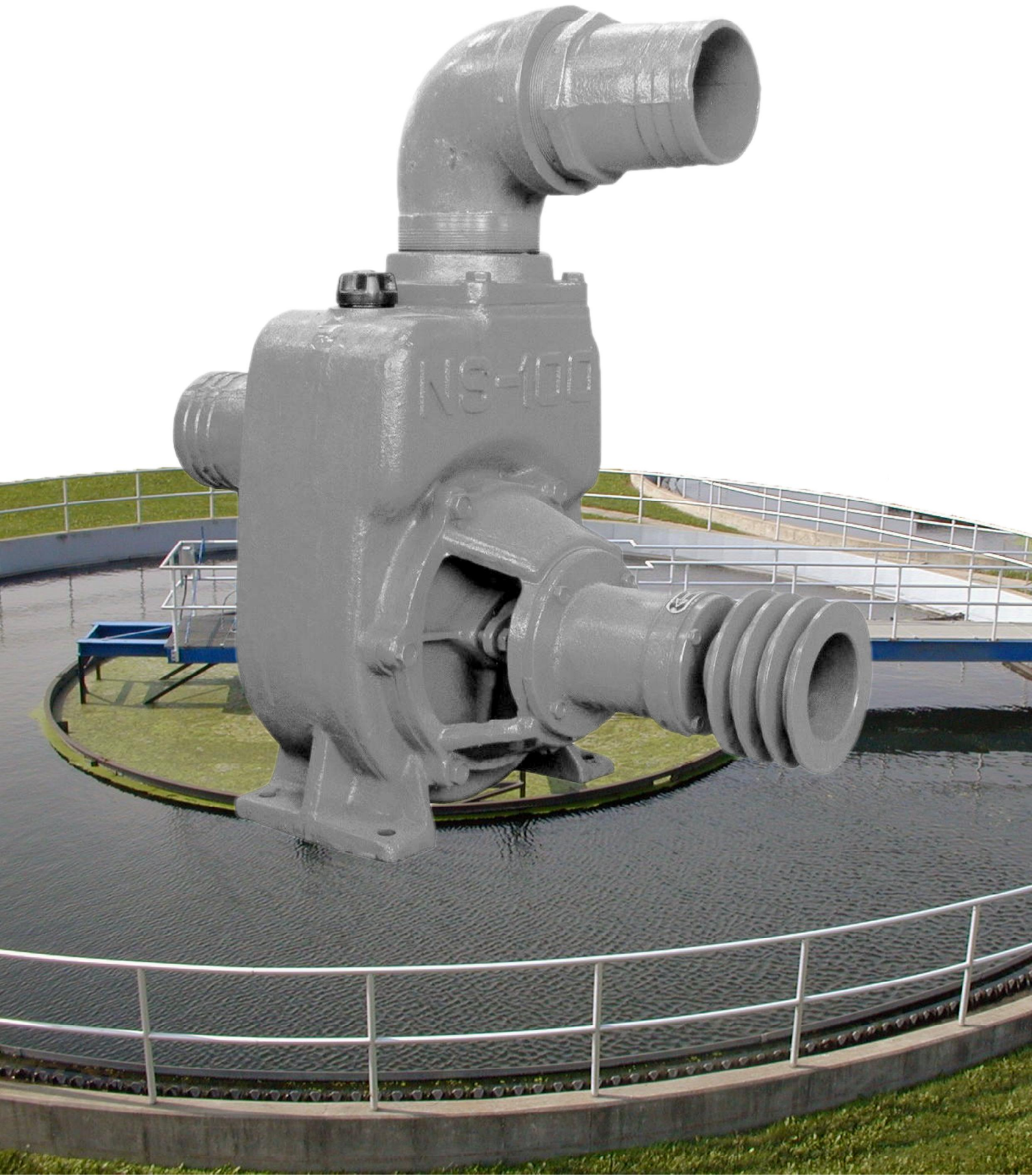




# APEC-SUN

## Self-Priming Centrifugal Pump

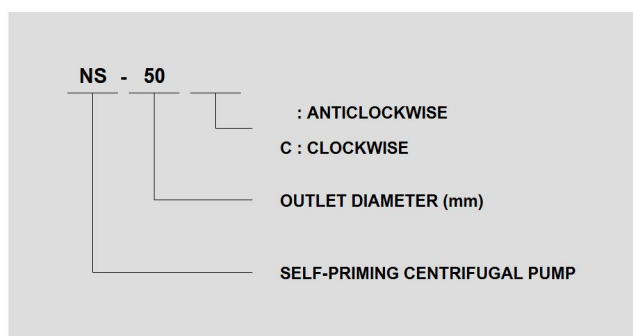


## FEATURES:

- Self-Priming No foot valve needed.
- Open type impeller.
- Sealed bearings.
- Heavy duty - Cast iron construction.
- Options: Mechanical seal.

Stainless steel shaft.

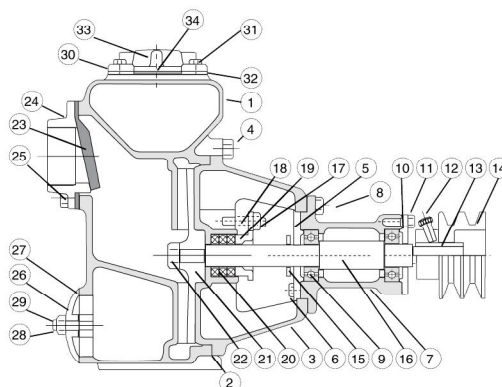
## TYPE DESCRIPTION:



## CONSTRUCTION:

NO.	NAME	QTY
1	Casing	1
2	Gasket	1
3	Pedestal	1
4	Bolt	4 (6)
5	Inside Cover	1
6	Bolt	3 (4)
7	Bearing Case	1
8	Bolt	4
9	Bearing	2
10	Outside Cover	1
11	Bolt	3 (4)
12	Bolt	1
13	Key	1
14	V. Pulley	1
15	Water Thrower	1
16	Shaft	1
17	Nut	2

NO.	NAME	QTY
18	Stud Bolt	2
19	Gland	1
20	Gland Packing	1
21	Impeller	1
22	Impeller Nut	1
23	Check Valve	1
24	Suction Flange	1
25	Bolt	4
26	Drain Cover	1
27	Gasket	1
28	Nut	1
29	Stud Bolt	1
30	Discharge Flange	1
31	Bolt	4
32	Gasket	1
33	Priming Plug	1
34	Rubber Seal Ring	1



**PERFORMANCE CURVES:**

